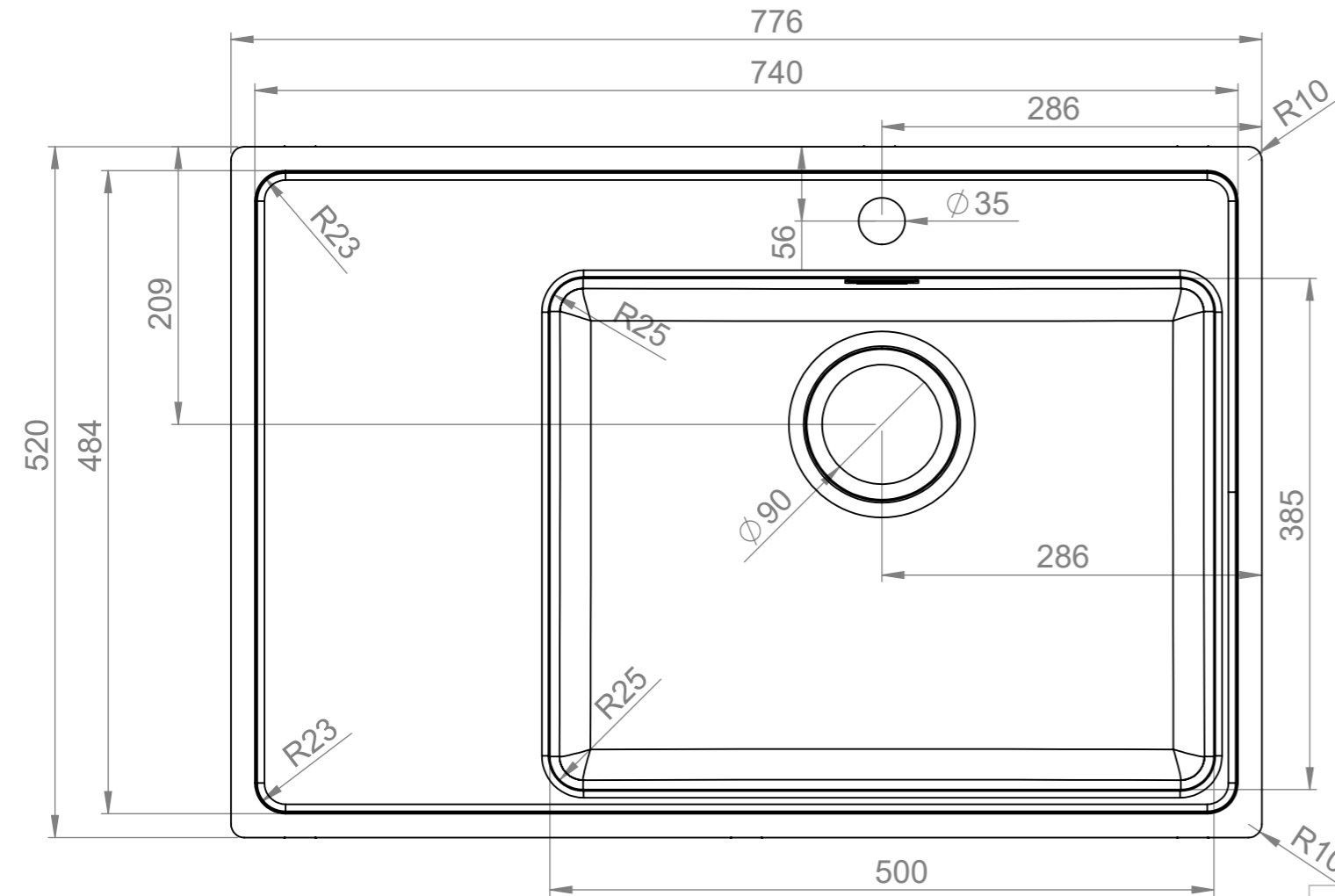
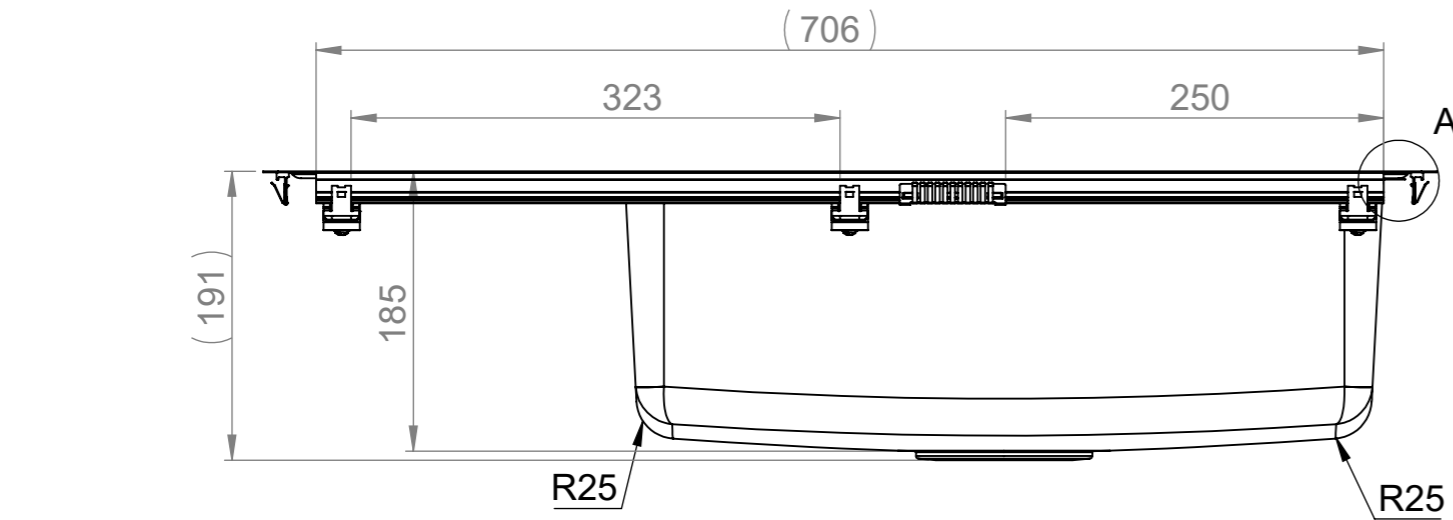
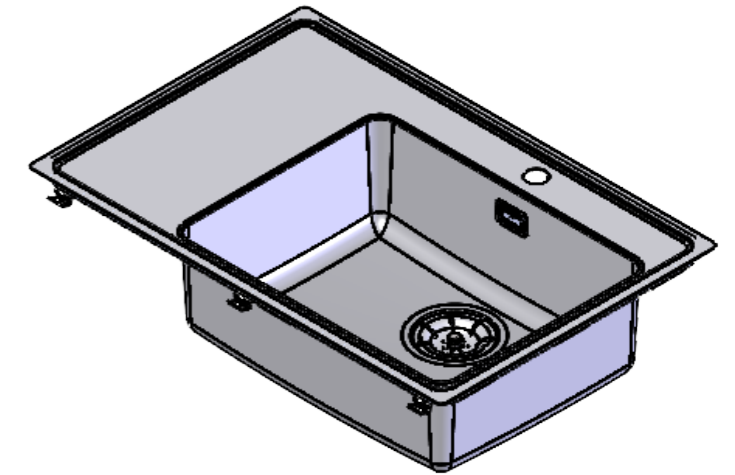
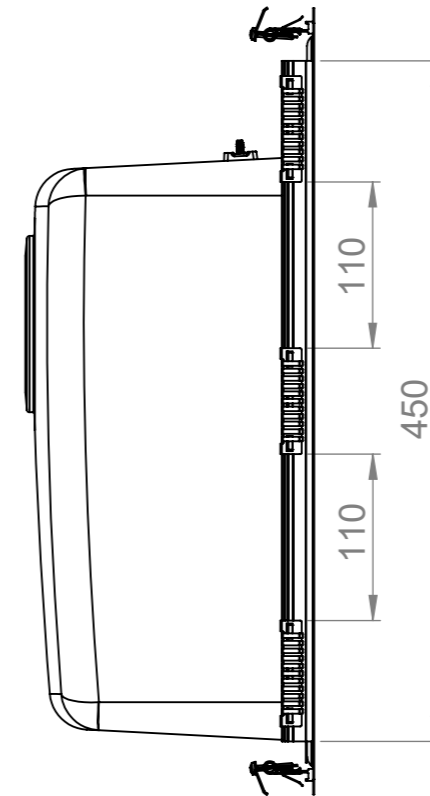
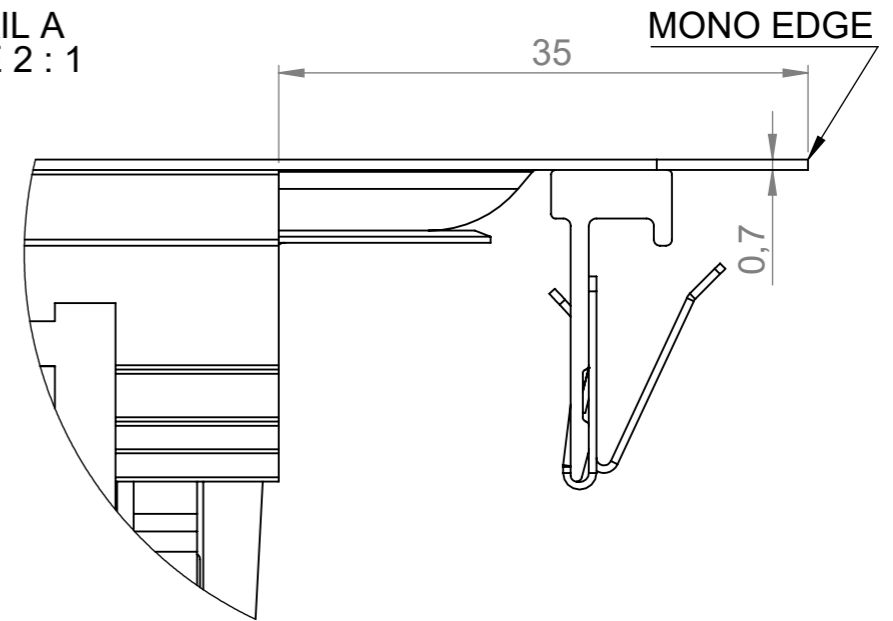


MAIN DIMENSIONS



DETAIL A
SCALE 2:1

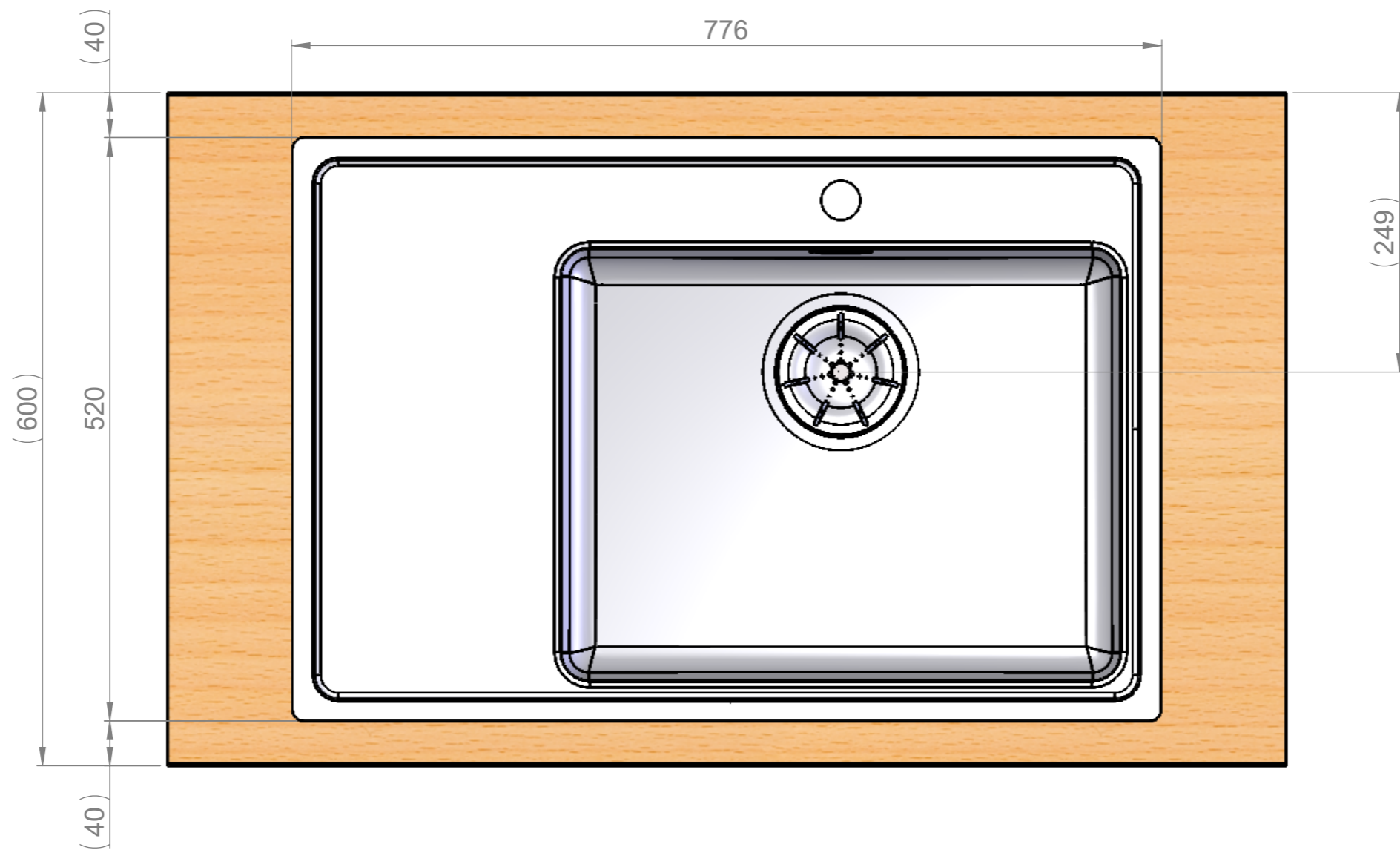


Change description	Date	Designed by
--------------------	------	-------------

	Mass	kg	General tolerance	Designed by	Date
	Size	Scale		Item	PJ
	A3	1:5		Approved by	Date
				VS	09.08.2023
 Member of ALVEUS	Description		Drawing number	Sheet/sheets	
	ONE-TDL50		19607	1/6	
	Technical Data Sheet			Rev	A

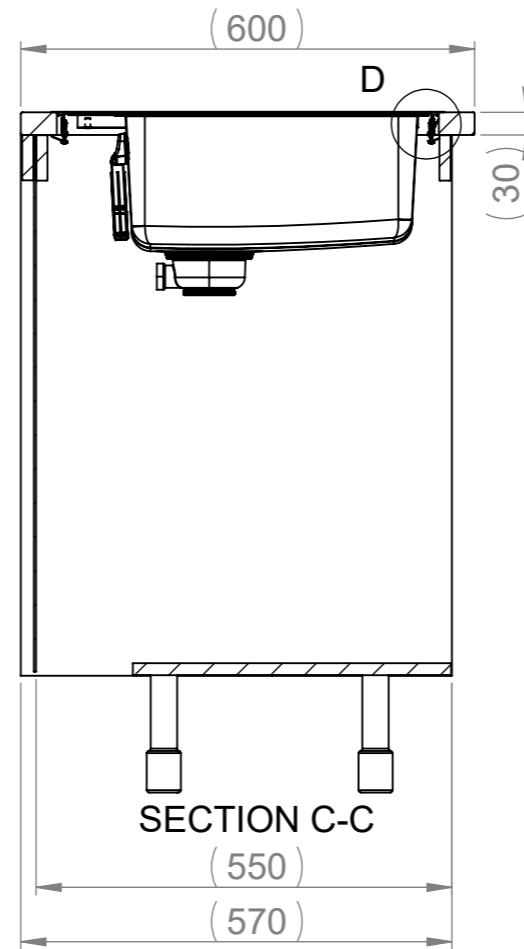
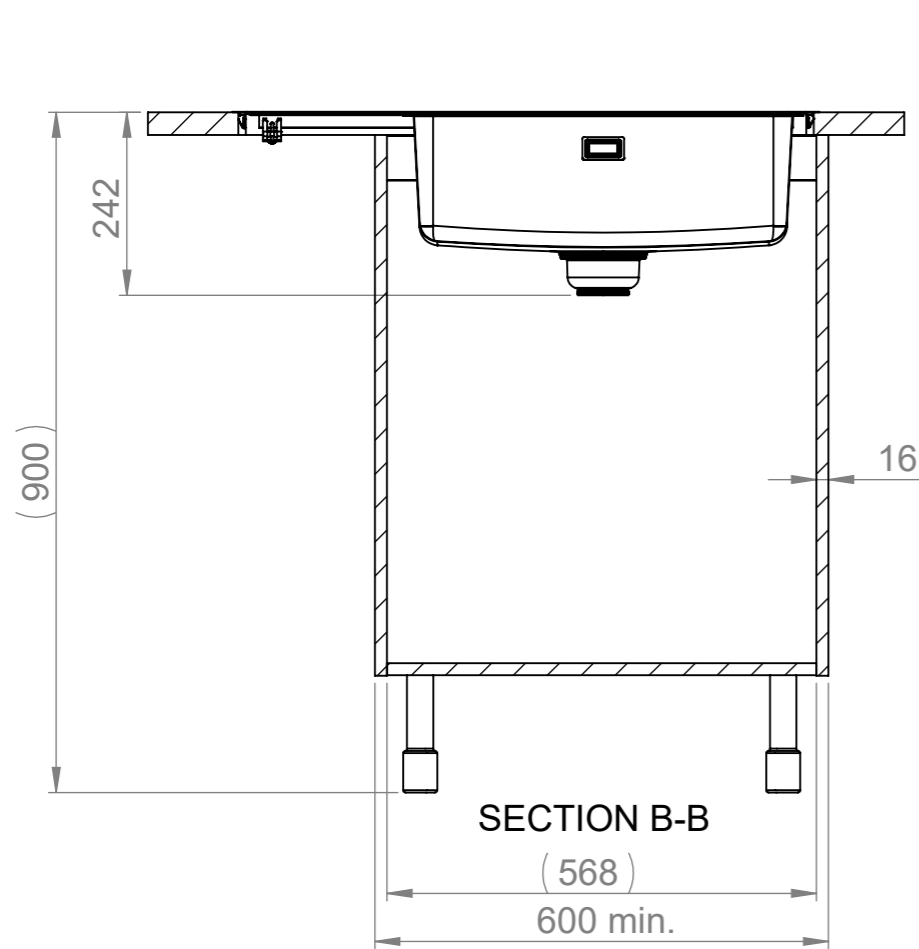
WORKTOP ASSEMBLY

Change description	Date	Designed by
--------------------	------	-------------

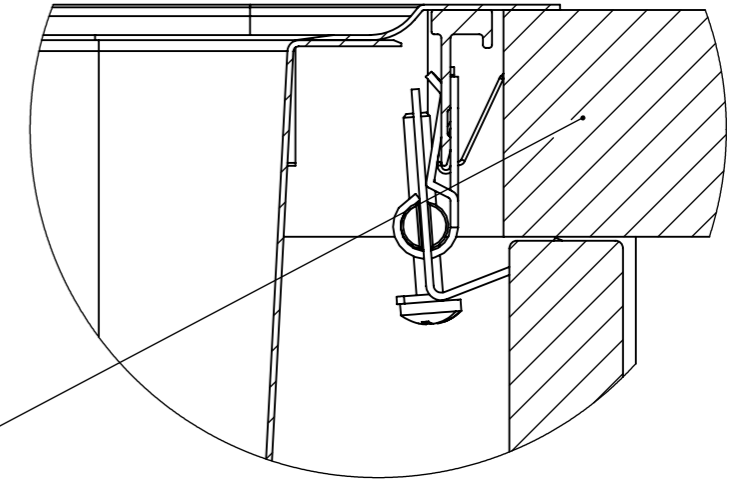


	Mass	kg	General tolerance	Designed by	Date
	Size	A3	Scale	1:5	Item
 Member of	Description		ONE-TDL50	Technical Data Sheet	19607
	Designed by PJ			Date	03.03.2023
	Approved by VS			Date	09.08.2023
Drawing number 19607			Sheet/sheets	2/6	Rev
				A	

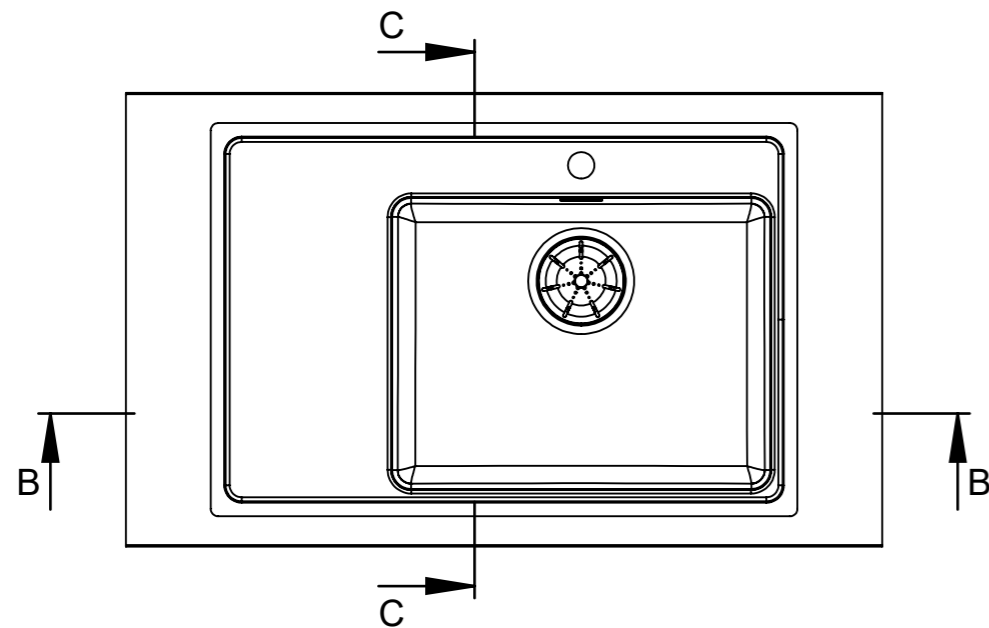
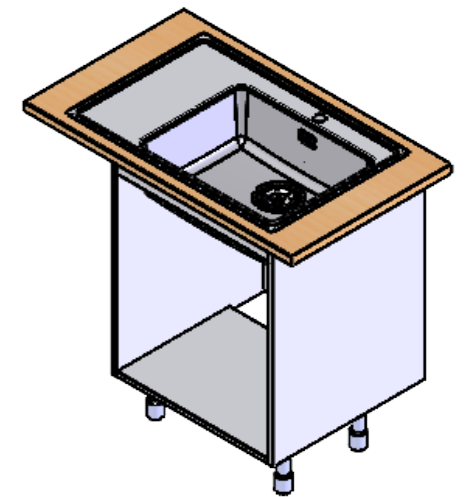
SPACE REQUIREMENTS



DETAIL D
SCALE 1 : 1



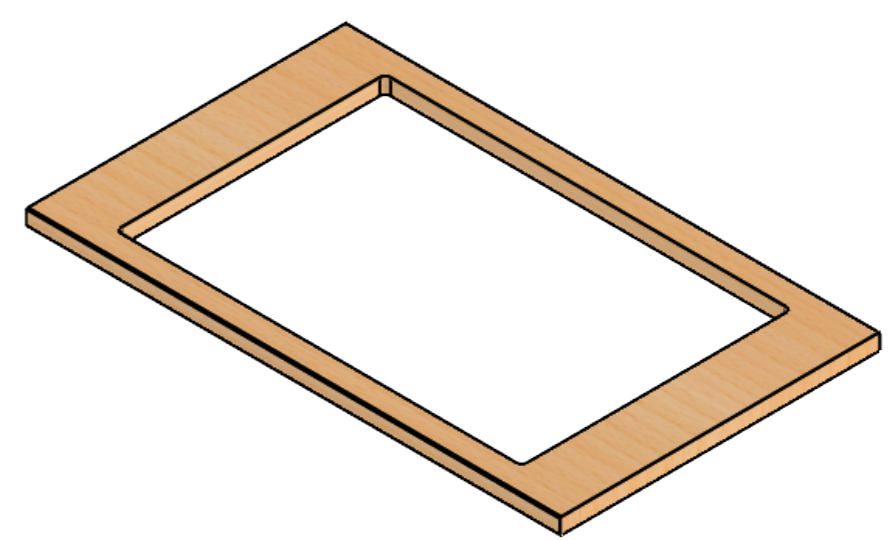
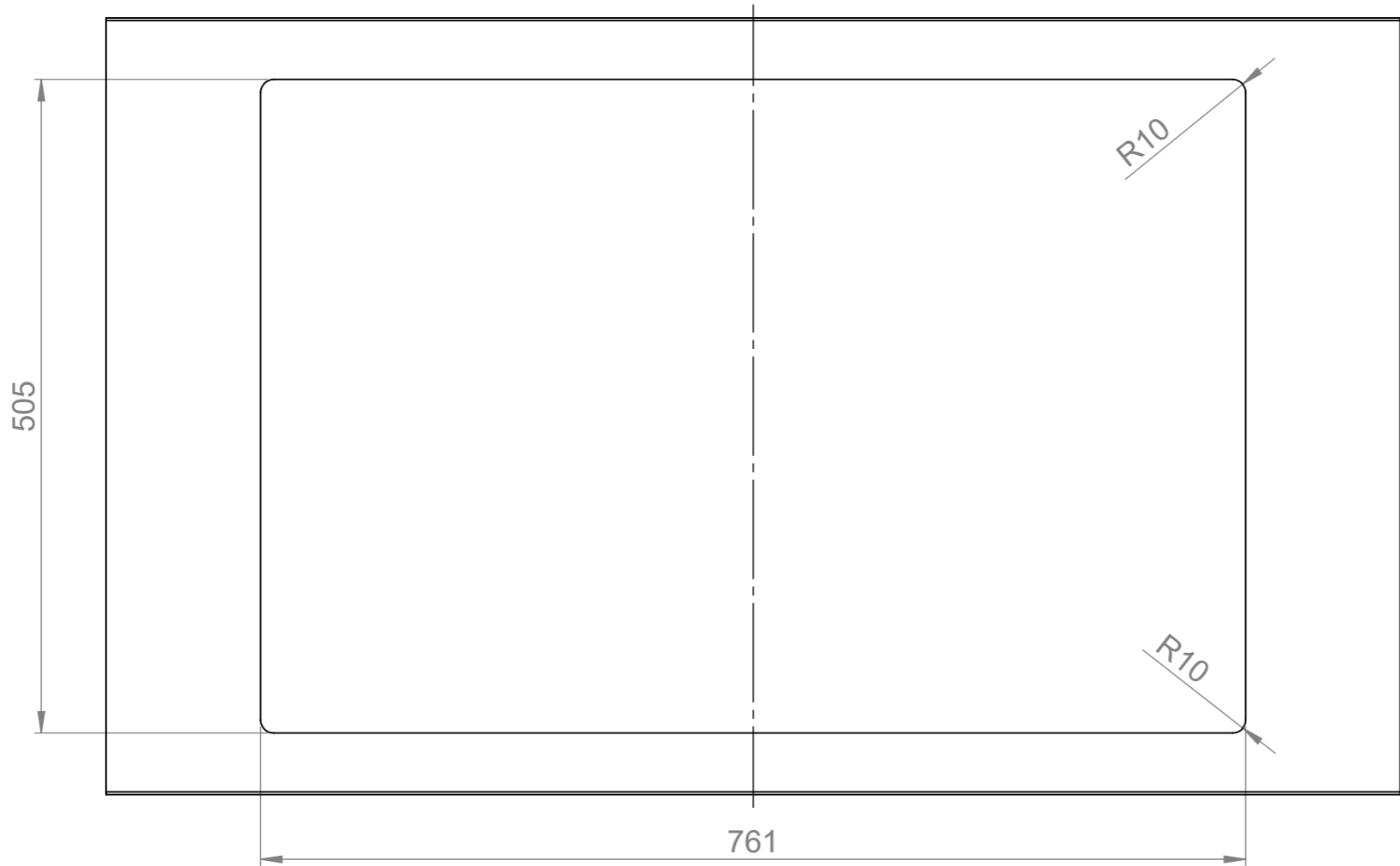
Huom!
Tarvittaessa kaapin väliseinää ja etu/takalistaa lovetettava kiinnikkeitä varten ja pesuallas on kiinnitettävä ennen työtason asennusta.
Obs!
Vid behov måste en inskärning för hofästena göras i skåpets mellanvägg och förbindningslist och diskbänken måste fästas innan du monterar bänkskivan.
Notice!
The partition walls and front/back list of the cupboard must be notched for the sink mountings when needed and the sink must be fastened before installing the worktop.



	Mass	kg	General tolerance	Designed by	PJ	Date	03.03.2023			
	Size	A3		Scale	1:10	Item	Approved by	VS	Date	09.08.2023
			Description		ONE-TDL50		Drawing number	19607	Sheet/sheets	3/6
			Technical Data Sheet				Rev	A		

CUT-OUT

Change description						Date	Designed by
--------------------	--	--	--	--	--	------	-------------



	Mass	kg	General tolerance	Designed by	Date
	Size	Scale	Item	VS	09.08.2023
			Description	Drawing number	Sheet/sheets
			ONE-TDL50	19607	4/6
Member of ALVEUS Technical Data Sheet				Rev	A

